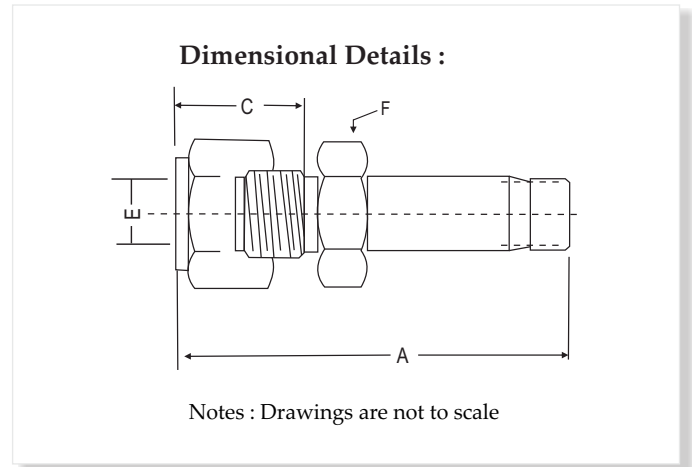


## TUBE END REDUCER



Dimension, in.

Tube OD T	Tube OD Tx	Part Number	A	C	E	F
1/8	1/8	K2TCT2	1.32	0.50	0.08	7/16
1/8	1/4	K2TCT4	1.42	0.50	0.09	7/16
1/4	1/8	K4TCT2	1.45	0.60	0.08	1/2
1/4	1/4	K4TCT4	1.54	0.60	0.17	1/2
1/4	3/8	K4TCT6	1.60	0.60	0.19	1/2
1/4	1/2	K4TCT8	1.82	0.60	0.19	9/16
1/4	3/4	K4TCT12	1.88	0.60	0.19	13/16
3/8	1/4	K6TCT4	1.63	0.66	0.17	5/8
3/8	3/8	K6TCT6	1.70	0.66	0.27	5/8
3/8	1/2	K6TCT8	1.91	0.66	0.28	5/8
3/8	3/4	K6TCT12	1.98	0.66	0.28	13/16
1/2	1/4	K8TCT4	1.77	0.90	0.17	13/16
1/2	3/8	K8TCT6	1.84	0.90	0.27	13/16
1/2	1/2	K8TCT8	2.06	0.90	0.37	13/16
1/2	3/4	K8TCT12	2.12	0.90	0.41	13/16
1/2	1	K8TCT16	2.37	0.90	0.41	11/16
3/4	1/2	K12TCT8	2.15	0.96	0.37	11/16
3/4	1	K12TCT16	2.46	0.96	0.62	11/16

Dimension, mm.

Tube OD T	Tube OD Tx	Part Number	A	C	E	F
6	10	KM6TCTM10	41.7	19.5	4.8	1/2
6	12	KM6TCTM12	44.9	22.0	4.8	9/16
10	6	KM10TCTM6	40.8	17.7	4.8	11/16
10	12	KM10TCTM12	49.7	22.0	7.8	11/16
12	6	KM12TCTM6	46.4	17.7	4.8	13/16
12	10	KM12TCTM10	49.7	19.5	7.5	13/16
12	12	KM12TCTM12	53.8	22.7	9.6	13/16

**Note:**

- A and C dimensions are typical finger-tight

Dimensions and specifications shown are approximate, may vary from time to time.

Ventil tube fittings are ordered by part numbers as listed in this catalogue and other sizes will be available on request.